

# BAHL CYCLE WORKS ORDER/FIT FORM

We would like to take a moment to thank you for choosing a BAHL frame. We are very excited that you chose us and we can't wait to get started. There is a lot of work that goes into the build process. To make the process as smooth as possible, there is some work that you will need to do too. Please take the time to go through this document thoroughly. Once you have gone through it and still have questions, please give us a call. After you have filled everything out completely and signed the last page simply email it back to us. We look forward to getting your frame in the queue.

Brandon Poser  
Owner  
[brandon@bahlcycle.com](mailto:brandon@bahlcycle.com)

BAHL Cycle Works  
Bakersfield, CA  
661.747.0559

## CONTACT INFORMATION

Name:
Address:
Phone Number:
Email:

## FRAME DESIGN

Frame Choice:

UNO (\$2,299): \_\_\_\_\_ Zwei (\$2,299): \_\_\_\_\_ Giro (\$2,299): \_\_\_\_\_ GVL (\$2,599): \_\_\_\_\_

Tubeset:

Standard: \_\_\_\_\_ SL (Zwei Only; \$150): \_\_\_\_\_ Featherweight (\$200): \_\_\_\_\_

Construction (Giro Only):

Fillet: \_\_\_\_\_ Lugged (\$50): \_\_\_\_\_

Fork Choice:

Columbus Rim (\$395): \_\_\_\_\_ Columbus Disc (\$525): \_\_\_\_\_

ENVE Rim (\$430): \_\_\_\_\_ ENVE Disc (\$575): \_\_\_\_\_

Shifting:

Mechanical: \_\_\_\_\_ eTap: \_\_\_\_\_ Internal Di2 (\$150): \_\_\_\_\_ Internal EPS (\$150): \_\_\_\_\_

Brakes:

Caliper: \_\_\_\_\_ Disc (Included with GVL) (\$300): \_\_\_\_\_

Bottle Cages:

0: \_\_\_\_\_ 1: \_\_\_\_\_ 2: \_\_\_\_\_ 3: \_\_\_\_\_

Extras:

Internal Brake Routing (\$200): \_\_\_\_\_ Stainless Lugs (\$200): \_\_\_\_\_ Internal Shift (\$200/Each Cable): \_\_\_\_\_

Chain Hanger: \_\_\_\_\_ Cast Headbadge (\$200): \_\_\_\_\_ Logo Seat Sleeve (\$250): \_\_\_\_\_

## FINISH

*Pricing includes a single color for the main color choice. Fork can be matched or black.*

Frame Color: \_\_\_\_\_ Fork Color: \_\_\_\_\_ Custom (additional cost): \_\_\_\_\_

## LOGOS

*Pricing includes your choice of white or black painted logos.*

Black: \_\_\_\_\_ White: \_\_\_\_\_ Custom: \_\_\_\_\_

## BUILD KIT

We offer a wide variety of parts kits and components to complete your build. Email me for more details. [brandon@bahcycle.com](mailto:brandon@bahcycle.com)

## CURRENT BIKE INFO

Make: \_\_\_\_\_ Model: \_\_\_\_\_ Year: \_\_\_\_\_

What do you like about it?: \_\_\_\_\_

What do you dislike about it?: \_\_\_\_\_

## CURRENT FRAME DIMENSIONS

*Please take all measurements in either cm or mm*

A: Saddle Height - Measure from the center of the bottom bracket to the top of the saddle:  
\_\_\_\_\_

B: Head Tube Length: \_\_\_\_\_

C: Handlebar Drop - Measure vertically from the top of the saddle to the floor. Then measure vertically to the top of the handlebars. Subtract the second number from the first: \_\_\_\_\_

D: Saddle to Handlebars - Horizontally measure from the center of the saddle to the centerline of the handlebars: \_\_\_\_\_

E: Effective Top Tube Length - With the bike on a level floor, measure from the centerline of the head tube/top tube junction to the centerline of the seat post. Be sure to keep the measuring tape level to the floor: \_\_\_\_\_

## ADDITIONAL INFO

Headset Spacers: \_\_\_\_\_

Stem Angle and Length: \_\_\_\_\_

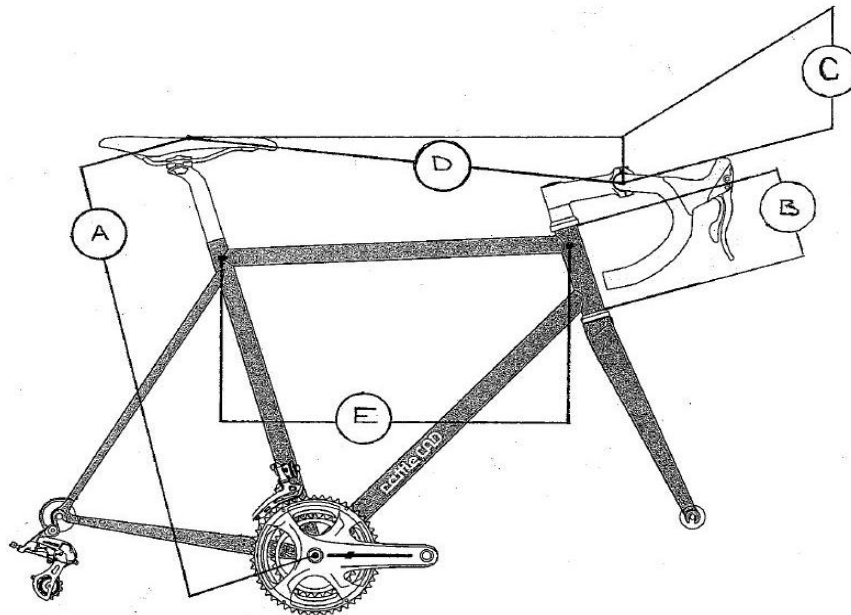


Photo Courtesy of RattleCAD

## BODY MEASUREMENT INFORMATION

Body measurements should be taken while wearing your cycling kit without shoes. Be sure that you're standing tall and straight. To obtain the most accurate measurements, have a second person perform that actual measurement. Please take all measurements in cm. Feel free to contact us if you have any questions.

Gender: \_\_\_\_\_

Age: \_\_\_\_\_

Weight: \_\_\_\_\_

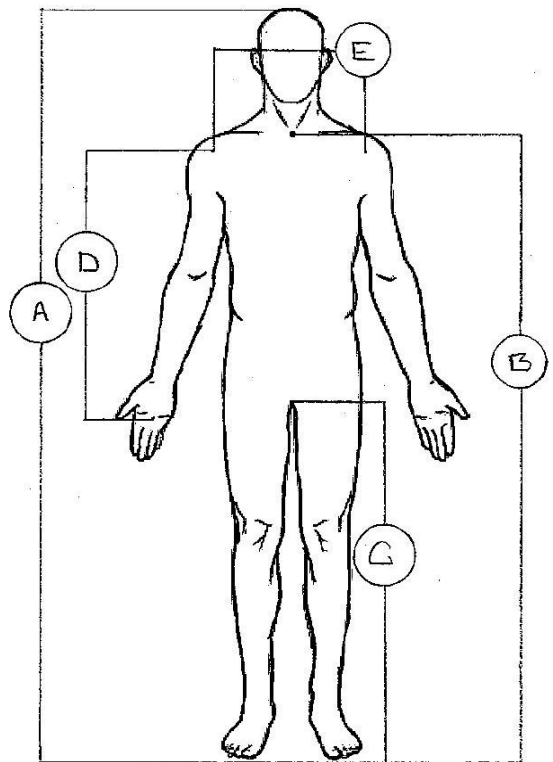
A: Total Height: \_\_\_\_\_

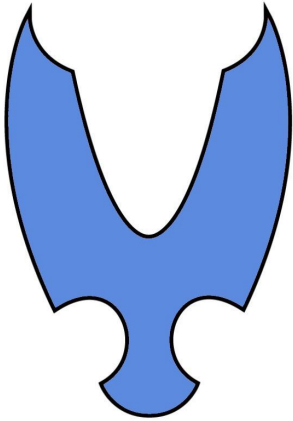
B: Body Height - Measure from your sternal notch to the floor. Your sternal notch is the notch at the base of your neck: \_\_\_\_\_

C: Inseam - Standing tall with legs shoulder width apart, place a book between your legs and level with the ground. Pull the spine of the book up to your perineum to mimic saddle pressure. Measure from the spine of the book to the floor. Measure a few times to ensure it's accurate: \_\_\_\_\_

D: Arm Length - While holding a pen or dowel in your hand, straighten your arm and hold it at approx. 45 degree angle. Measure from the acromion process (the outermost bone of your shoulder) to the pen or dowel: \_\_\_\_\_

E: Shoulder Width - Measure from one acromion process to the other: \_\_\_\_\_





# BAHL CYCLE WORKS

## **FINE PRINT**

Deposit of 50% of the total frameset build needs to be received before work will begin on your frame. If it is a complete bike build, then funds for the total build kit will be requested before ordering components.

Deposits are nonrefundable.

Remaining balance of the bike is due before delivery can take place.

For a frame with custom geometry, you will need to review and agree to the dimensions in the frame drawings prior to work starting.

I agree with the above terms. Signed: \_\_\_\_\_ Date: \_\_\_\_\_