

BAHL CYCLE WORKS ORDER/FIT FORM

We would like to take a moment to thank you for choosing a BAHL frame. We are very excited that you chose us and we can't wait to get started. There is a lot of work that goes into the build process. To make the process as smooth as possible, there is some work that you will need to do too. Please take the time to go through this document thoroughly. Once you have gone through it and still have questions, please give us a call. After you have filled everything out completely and signed the last page simply email it back to us. We look forward to getting your frame in the queue.

Brandon Poser
Owner
brandon@bahlcycle.com

BAHL Cycle Works
Bakersfield, CA
661.747.0559

CONTACT INFORMATION

Name:
Address:
Phone Number:
Email:

FRAME DESIGN

Frame Choice:

UNO (\$2,099): _____ Zwei (\$2,099): _____ Giro (\$2,099): _____ GVL (\$2,299): _____

Tubeset:

Standard: _____ SL (Zwei Only; \$200): _____ Featherweight (\$200): _____

Construction (Giro Only):

Fillet: _____ Lugged (\$50): _____

Fork Choice:

Columbus Rim (\$350): _____ Columbus Disc (\$450): _____

ENVE Rim (\$430): _____ ENVE Disc (\$550): _____

Shifting:

Mechanical: _____ eTap: _____ Internal Di2 (\$150): _____ Internal EPS (\$150): _____

Brakes:

Caliper: _____ Disc (Included with GVL) (\$300): _____

Bottle Cages:

0: _____ 1: _____ 2: _____ 3: _____

Extras:

Internal Brake Routing (\$200): _____ Stainless Lugs (\$200): _____ Internal Shift Routing (\$200): _____

Chain Hanger: _____ Cast Headbadge (\$200): _____ Logo Seat Sleeve (\$250): _____

FINISH

Pricing includes a single color for the main color choice. Fork can be matched or black.

Frame Color: _____ Fork Color: _____ Custom (additional cost): _____

LOGOS

Pricing includes your choice of white or black painted logos.

Black: _____ White: _____ Custom: _____

BUILD KIT

We offer a wide variety of parts kits and components to complete your build. Email me for more details. brandon@bahlcycle.com

CURRENT BIKE INFO

Make: _____ Model: _____ Year: _____

What do you like about it?: _____

What do you dislike about it?: _____

CURRENT FRAME DIMENSIONS

Please take all measurements in either cm or mm

A: Saddle Height - Measure from the center of the bottom bracket to the top of the saddle:

B: Head Tube Length: _____

C: Handlebar Drop - Measure vertically from the top of the saddle to the floor. Then measure vertically to the top of the handlebars. Subtract the second number from the first: _____

D: Saddle to Handlebars - Horizontally measure from the center of the saddle to the centerline of the handlebars: _____

E: Effective Top Tube Length - With the bike on a level floor, measure from the centerline of the head tube/top tube junction to the centerline of the seat post. Be sure to keep the measuring tape level to the floor: _____

ADDITIONAL INFO

Headset Spacers: _____

Stem Angle and Length: _____

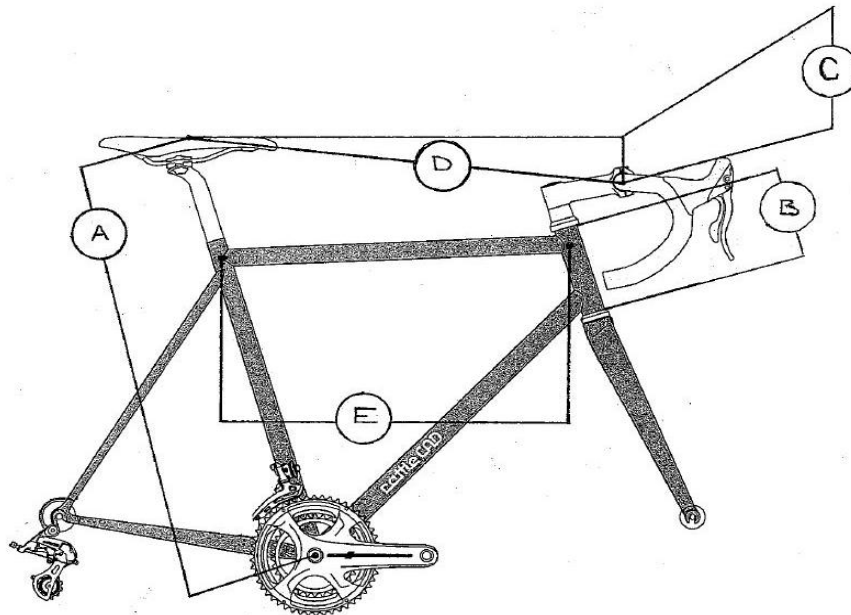


Photo Courtesy of RattleCAD

BODY MEASUREMENT INFORMATION

Body measurements should be taken while wearing your cycling kit without shoes. Be sure that you're standing tall and straight. To obtain the most accurate measurements, have a second person perform that actual measurement. Please take all measurements in cm. Feel free to contact us if you have any questions.

Gender: _____

Age: _____

Weight: _____

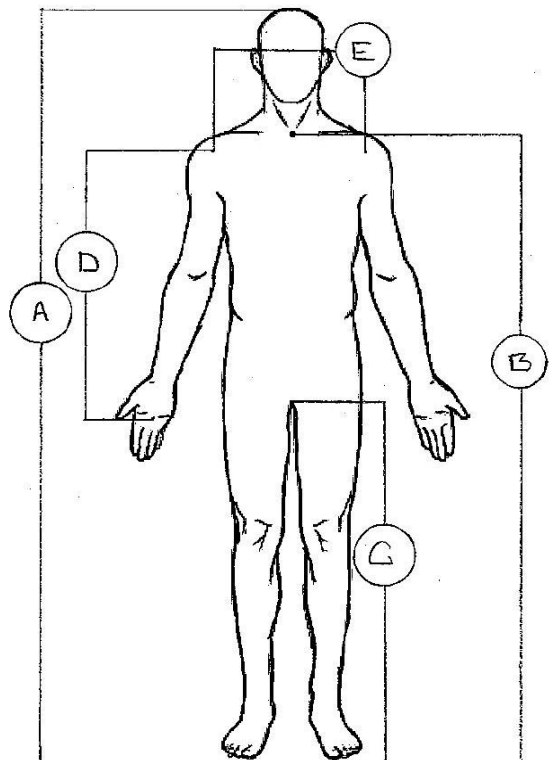
A: Total Height: _____

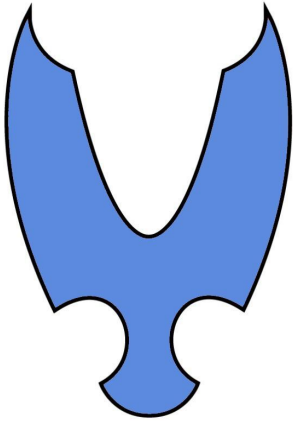
B: Body Height - Measure from your sternal notch to the floor. Your sternal notch is the notch at the base of your neck: _____

C: Inseam - Standing tall with legs shoulder width apart, place a book between your legs and level with the ground. Pull the spine of the book up to your perineum to mimic saddle pressure. Measure from the spine of the book to the floor. Measure a few times to ensure it's accurate: _____

D: Arm Length - While holding a pen or dowel in your hand, straighten your arm and hold it at approx. 45 degree angle. Measure from the acromion process (the outermost bone of your shoulder) to the pen or dowel: _____

E: Shoulder Width - Measure from one acromion process to the other: _____





BAHL CYCLE WORKS

FINE PRINT

Deposit of 50% of the total frameset build needs to be received before work will begin on your frame. If it is a complete bike build, then funds for the total build kit will be requested before ordering components.

Deposits are nonrefundable.

Remaining balance of the bike is due before delivery can take place.

For a frame with custom geometry, you will need to review and agree to the dimensions in the frame drawings prior to work starting.

I agree with the above terms. Signed: _____ Date: _____